

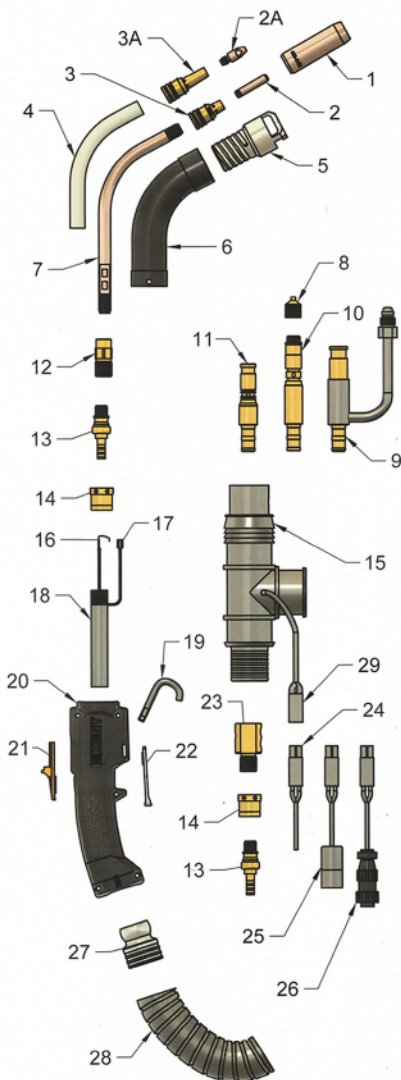
FUME EXTRACTION GUN

KENT WELDING GUN

Remove Fumes at the Source - Protection & Performance

- Light-weight, ergonomic design to enhance welder comfort and reduce fatigue
- Adjustable nozzle chamber for optimal fume extraction
- Air-flow slide designed to minimize shielding gas loss
- Robust and durable handle design results in lower maintenance costs
- Enhanced power cable connection and trigger assembly for reduced maintenance needs





REF#	PART#	DESCRIPTION
1	401-4-62	Nozzle
2	408-XXX	Contact Tip (XXX=wire size)
2A	150-XX-130	Contact Tip (XX=wire size)
3	FE-424	Gas Head
3A	FE-424-M8	Gas Head
4	FE-013T-20	Teflon Insulator
5	FE-442-24	Chamber
6	FE-443-24	Chamber Hose
7	FE-440-24	Gun Body
8	09-019	Wire Guide
9	09-453L	Direct Plug - Lincoln
10	09-453M	Direct Plug - Miller
11	09-453T	Direct Plug - T4
12	FE-003	Power Cable Connector
13	02-046	Power Cable End
14	02-041	Power Cable Nut
15	459	Hose T Fitting
16	02-017	Switch Spring
17	02-015	Switch Terminal
18	FE-400APC-XX	Power Cable - 400amp (XX=feet)
18	FE-250APC-XX	Power Cable - 250amp (XX=feet)
19	09-074	Hang Up Hook
20	FE-200-24	Handle
21	FE-201-24	Air Flow Slide
22	02-016	Switch Lever
23	09-005	Rear Body Block
24	182M	Lead Wire - male
25	01-001-182L	Lincoln Electrical Plug
26	01-001-182M	Miller Electrical Plug
27	FE-458-24	Swivel
28	457S-XX	Standard Extraction Hose (XX=feet)
28	457L-XX	Light-weight Extraction Hose (XX=feet)
29	182F	Lead Wire - female

Ordering Guide:

Gun Type	FE
Hose Type	S
Amperage	400
Length	15
Wire Drive	M

Made in Canada by:

Kent Welding Gun

div. of E.R. Kennedy Ltd.

1249 Plessis Road
Winnipeg, MB R2C 3L9
(800) 427-0430

sales@kentweldinggun.com

Example:
400amp-15' with Miller Power Pin
FES-400-15M